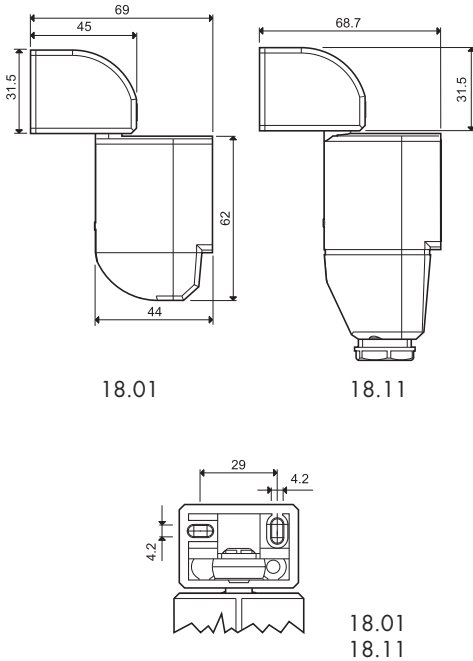


## Features

PIR movement detector for internal or external installations - wall mounting

- Small size
- Adjustable ambient light intervention threshold
- Adjustable Light On Time
- Universal mounting position - permits the selection of any area for survey
- Wide angle of survey



### 18.01

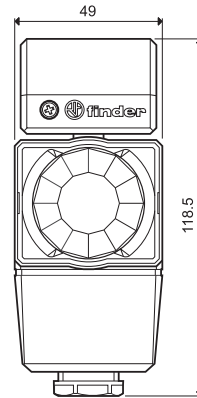
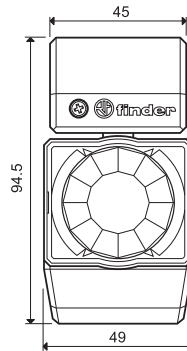


### 18.11



- 1 NO (SPST-NO) 10 A
- Internal installations
- Particularly suited for wall mounting

- 1 NO (SPST-NO) 10 A
- External installations
- Particularly suited for wall mounting



### Contact specification

Number of contacts	1 NO (SPST-NO)		1 NO (SPST-NO)	
Rated current/Maximum peak current	A 10/20 (100 A - 5 ms)		A 10/20 (100 A - 5 ms)	
Rated voltage/Maximum switching voltage V AC	230/230		230/230	
Rated load AC1	VA 2,300		VA 2,300	
Rated load AC15 (120/230 V) VA	250	450	250	450
Nominal lamp rating: incandescent (120/230 V) W	500	1,000	500	1,000
compensated fluorescent (120/230 V) W	200	350	200	350
uncompensated fluorescent (120/230 V) W	250	500	250	500
halogen (120/230 V) W	500	1,000	500	1,000
Standard contact material	AgSnO <sub>2</sub>		AgSnO <sub>2</sub>	

### Coil specification

Nominal voltage	V AC (50/60 Hz)	120...230	120...230
	DC	—	—
Rated power AC/DC	VA (50 Hz)/W	2.5/—	2.5/—
Operating range	V AC (50/60 Hz)	96...253	96...253
	DC	—	—

### Technical data

Electrical life at rated load AC1	cycles	100 · 10 <sup>3</sup>	100 · 10 <sup>3</sup>
Ambient light intervention threshold	lx	5...350	5...350
Light on time after last detection		10 s...12 min	10 s...12 min
Angle of survey		110°	110°
Depth of field	m	10	10
Ambient temperature range	°C	-10...+50	-30...+50
Protection category		IP 40	IP 54

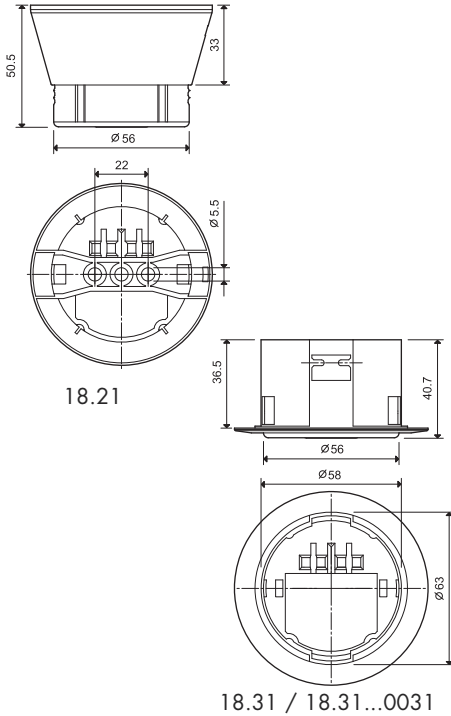
Approvals (according to type)



## Features

### PIR movement detector for internal installations

- Ceiling mounting
- Small size
- Adjustable ambient light intervention threshold
- Adjustable Light On Time
- Wide angle of survey



- 1 NO (SPST-NO) 10 A
- Internal ceiling installation
- Surface mounting
- Output connected to supply voltage

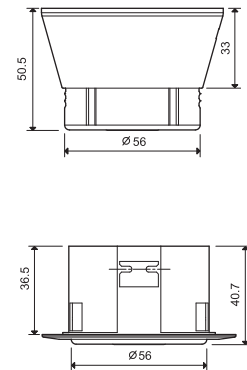
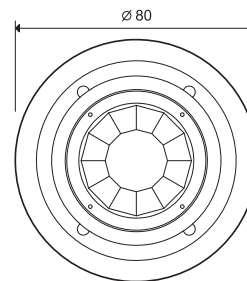
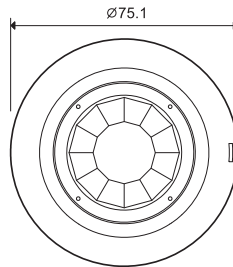


- 1 NO (SPST-NO) 10 A
- Internal ceiling installation
- Recessed mounting
- Output connected to supply voltage

### NEW 18.31...0031



- 1 NO 10 A
- Internal ceiling installation
- Recommended for applications with high ceilings (up to 6 meters)
- Light ON time after last detection (30 s...35 min)



### Contact specification

Number of contacts	1 NO (SPST-NO)		1 NO (SPST-NO)		1 NO (SPST-NO)	
Rated current/Maximum peak current A	10/20 (100 A - 5 ms)		10/20 (100 A - 5 ms)		10/20 (100 A - 5 ms)	
Rated voltage/Maximum switching voltage V AC	230/230		230/230		230/230	
Rated load AC1 VA	2,300		2,300		2,300	
Rated load AC15 (120/230 V) VA	250	450	250	450	250	450
Nominal lamp rating: incandescent (120/230 V) W	500	1,000	500	1,000	500	1,000
compensated fluorescent (120/230 V) W	200	350	200	350	200	350
uncompensated fluorescent (120/230 V) W	250	500	250	500	250	500
halogen (120/230 V) W	500	1,000	500	1,000	500	1,000
Standard contact material	AgSnO <sub>2</sub>		AgSnO <sub>2</sub>		AgSnO <sub>2</sub>	

### Coil specification

Nominal voltage V AC (50/60 Hz)	120...230	120...230	120...230
DC	—	—	—
Rated power AC/DC VA (50 Hz)/W	2/1	2/1	2/1
Operating range V AC (50/60 Hz)	96...253	96...253	96...253
DC	—	—	—

### Technical data

Electrical life at rated load AC1 cycles	100 · 10 <sup>3</sup>	100 · 10 <sup>3</sup>	100 · 10 <sup>3</sup>
Ambient light intervention threshold lx	5...350	5...350	5...350
Light on time after last detection	10 s...12 min	10 s...12 min	30 s...35 min
Angle of survey	110°	110°	110°
Sensing area diameter m	See diagram page 6	See diagram page 6	See diagram page 6
Ambient temperature range °C	-10...+50	-10...+50	-10...+50
Protection category	IP 40	IP 40	IP 40

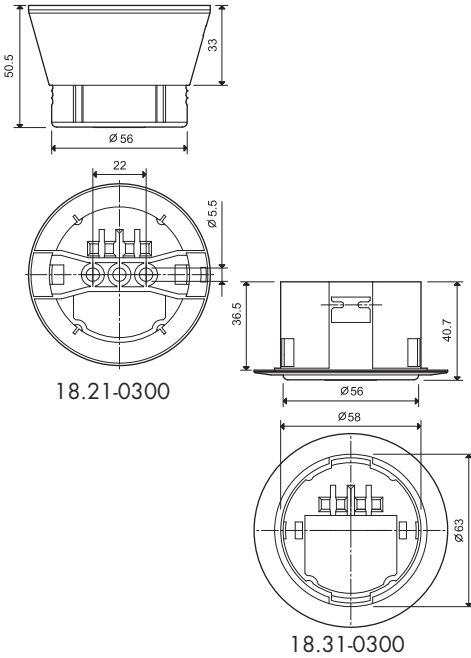
### Approvals (according to type)



## Features

**PIR movement detector for internal installations, with potential free contact**

- Applications where interface to PLC or BMS is required
- Ceiling mounting
- Small size
- Adjustable ambient light intervention threshold
- Adjustable Light On Time
- Wide angle of survey



### NEW 18.21-0300

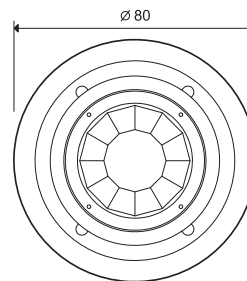
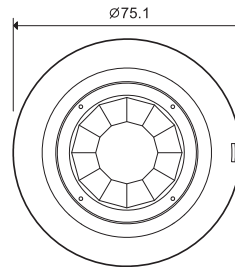


- 1 NO (SPST-NO) 10 A
- Internal ceiling installation
- Surface mounting
- Output with potential free contact

### NEW 18.31-0300



- 1 NO (SPST-NO) 10 A
- Internal ceiling installation
- Recessed mounting
- Output with potential free contact



Contact specification			
Number of contacts		1 NO (SPST-NO)	1 NO (SPST-NO)
Rated current/Maximum peak current	A	10/20 (100 A - 5 ms)	10/20 (100 A - 5 ms)
Rated voltage/Maximum switching voltage	V AC	250/400	250/400
Rated load AC1	VA	2,500	2,500
Rated load AC15	(230 V) VA	450	450
Nominal lamp rating: incandescent (230 V)	W	1,000	1,000
compensated fluorescent (230 V)	W	350	350
uncompensated fluorescent (230 V)	W	500	500
halogen (230 V)	W	1,000	1,000
Standard contact material		AgSnO <sub>2</sub>	AgSnO <sub>2</sub>
Coil specification			
Nominal voltage	V AC (50/60 Hz)	120...230	120...230
	V AC (50/60 Hz)/DC	24	24 V
Rated power AC/DC	VA (50 Hz)/W	2/1	2/1
Operating range	V AC (50/60 Hz)	96...253	96...253
	V AC (50/60 Hz)/DC	19.2...26.4	19.2...26.4
Technical data			
Electrical life at rated load AC1	cycles	100 · 10 <sup>3</sup>	100 · 10 <sup>3</sup>
Ambient light intervention threshold	lx	5...350	5...350
Light on time after last detection		10 s...12 min	10 s...12 min
Angle of survey		110°	110°
Sensing area diameter	m	See diagram page 6	See diagram page 6
Ambient temperature range	°C	-10...+50	-10...+50
Protection category		IP 40	IP 40
<b>Approvals</b> (according to type)			

## Ordering information

Example: 18 series, PIR movement detector for internal installations, wall mounting, 1 NO (SPST-NO) 10 A contact, 120...230 V AC supply.

**1 8 . 0 1 . 8 . 2 3 0 . 0 0 0 0**

- Series** —————
- Type** —————
- 0 = Internal installation - wall mounting
- 1 = External installations
- 2 = Internal ceiling installation - surface mounting
- 3 = Internal ceiling installation - recessed mounting
- Contact circuit** —————
- 0 = Voltage output
- 3 = Volt-free output contact (18.21/31-0300 only)
- Supply voltage** —————
- 024 = 24 V AC/DC for types 18.21/31-0300 only
- 230 = 120...230 V
- Supply version** —————
- 0 = AC (50/60 Hz)/DC (24 V only)
- 8 = AC (50/60 Hz)
- No. of poles** —————
- 1 = Single pole switching 1 NO (SPST-NO), 10 A
- Special version** —————
- 31 = High ceilings, (30 s...35 min)

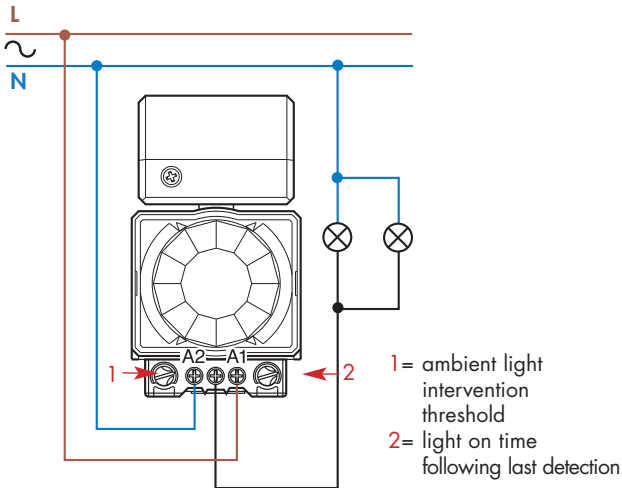
## Technical data

Insulation	
Dielectric strength between open contacts V AC	1,000
Between supply and contact V AC	1,500 (types 18.21...0300, 18.31...0300)
Other data	
⊕ Screw torque Nm	0.5
Max. cable size mm <sup>2</sup>	1.5

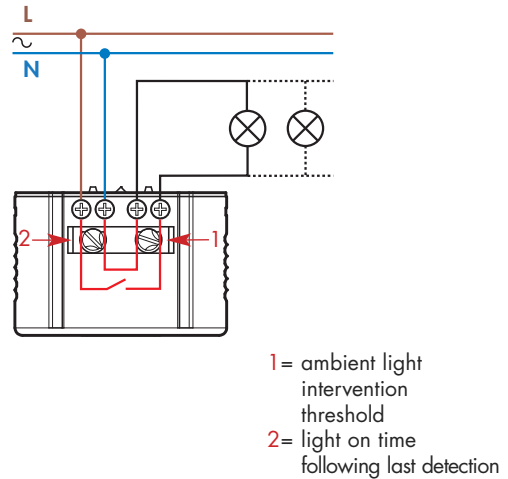
- Following the initial power-on, and power-on following a power interruption, the detector makes a hardware-software initialisation for approximately 30 seconds. However, the behavior of the output during this 30 seconds will depend on certain circumstances:
  - If the detector was in the On state before the power interruption, and if the lighting level is (currently) below the pre-set threshold, then the output contact will immediately close when the power is re-applied, for the time delay set by the potentiometer (irrespective of whether movement is being detected).
  - If the detector was in the Off state before the power interruption, or if the ambient light is currently over the pre-set threshold, then the detector will not switch-on until the end of the initialisation phase (assuming movement is then detected).

## Wiring diagram

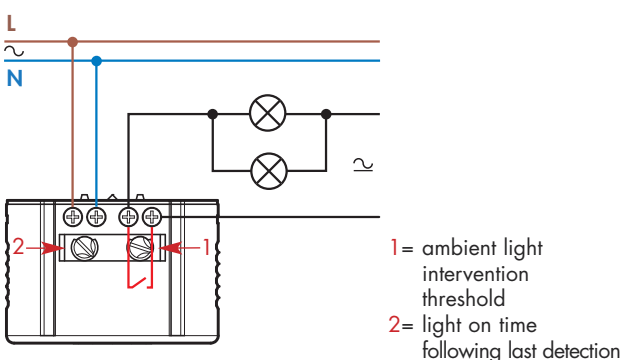
Type 18.01 / 18.11



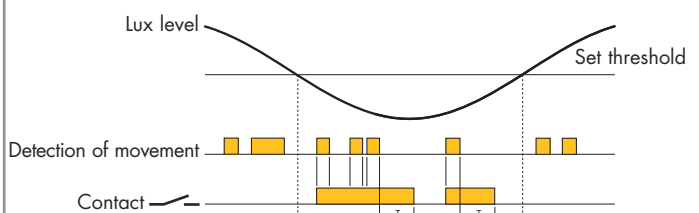
Type 18.21 / 18.31 / 18.31...0031



Type 18.21-0300 / 18.31-0300

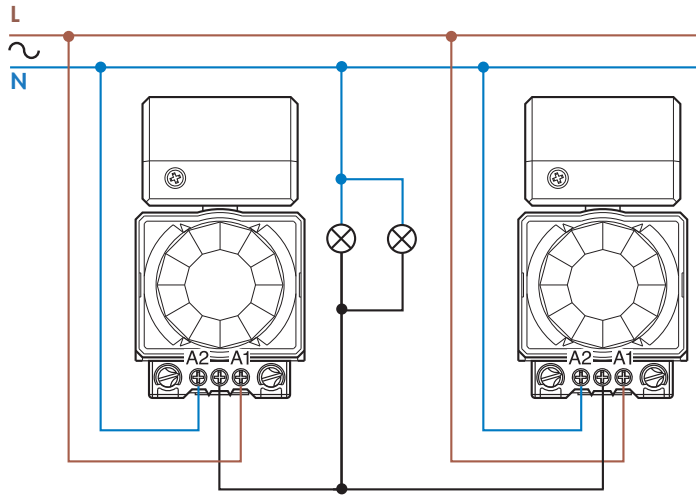


The output relay will remain On for the pre-set time, following the last detection of movement.



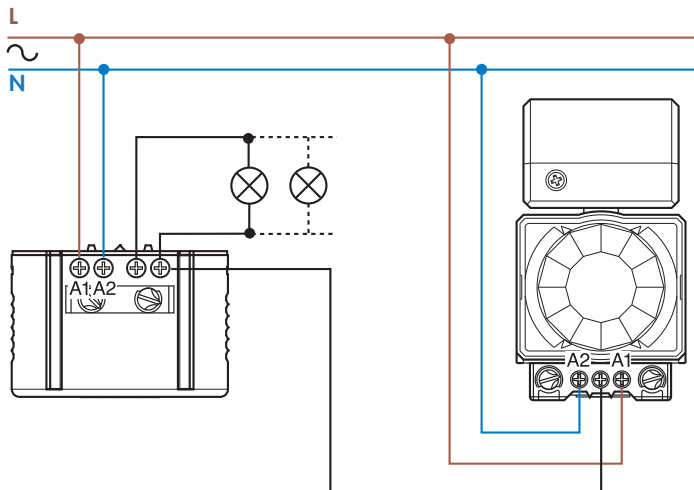
Wiring diagram - Parallel connection

Type 18.01 / 18.11



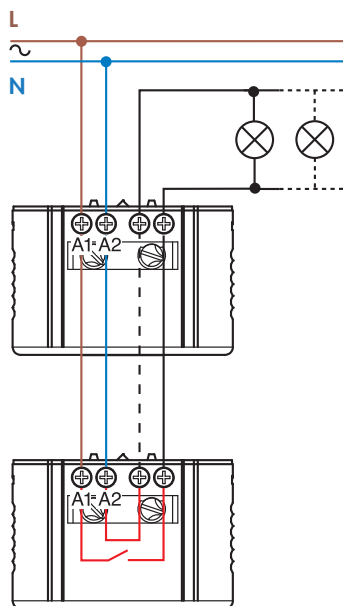
Note: keep the polarity indicated for Phase and Neutral

Type 18.01 / 18.21



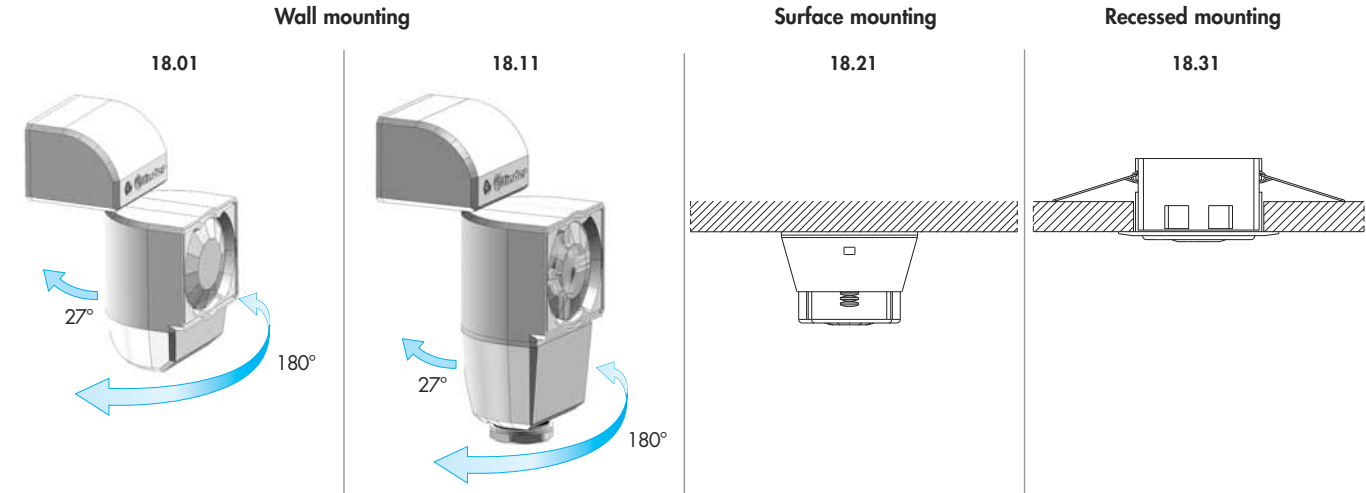
Note: keep the polarity indicated for Phase and Neutral

Type 18.21 / 18.31 / 18.31...0031



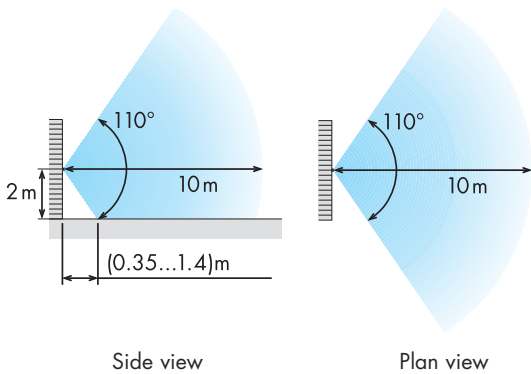
Note: keep the polarity indicated for Phase and Neutral

## Mounting and orientation

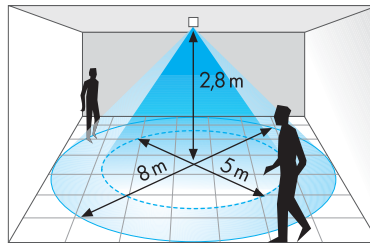


## Sensing area

18.01, 18.11 - Wall mounting

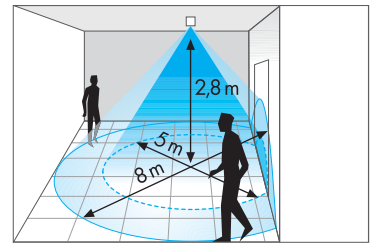


18.01 - Ceiling mounting



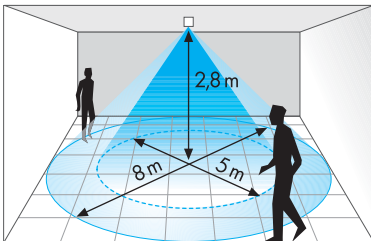
Internal installations

18.11 - Ceiling mounting

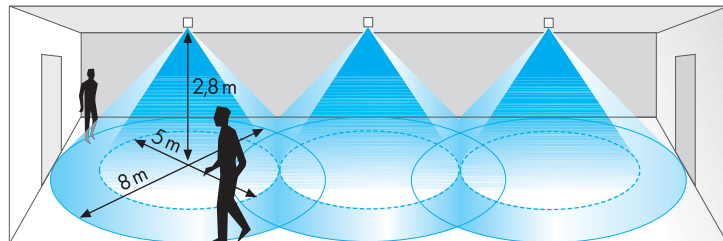


External installations

18.21, 18.31 - Internal ceiling installation, surface mounting or recessed mounting

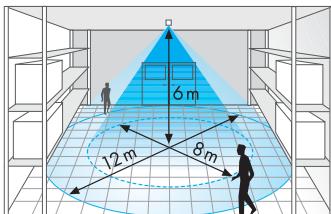


Single installation

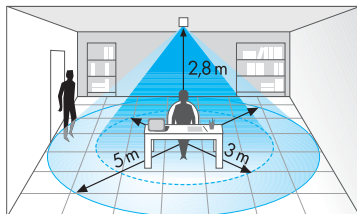


Multiple installation

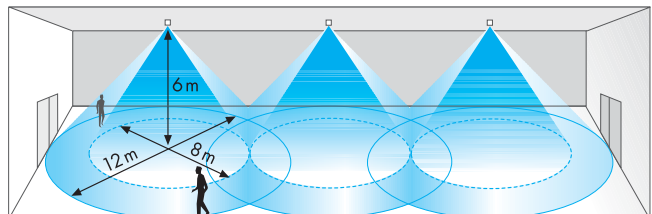
18.31...0031 - High ceilings installations



For applications with high ceilings (up to 6 meters)

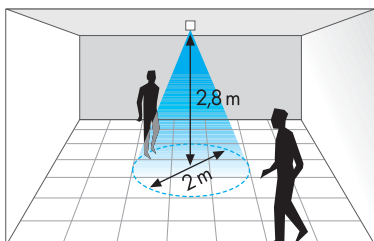


Movement and presence detector



Multiple installation

## Accessories



### Beam limiter for 18.21 and 18.31 PIR movement detectors

Reduces the area of survey to 2 meters diameter (versus 8m) at an installation height of 2.8 meters.  
(Note: with the beam limiter the ambient light intervention threshold feature will be increased significantly)